



**Redvision**

# RV DOME SERIES



## **RV18-830-DOME**

**Single camera version; 18:1 zoom, infra-red speed dome with 100m night vision.**

The RV Dome Series combines latest technology infra red illumination for night time, with uncompromised colour daytime video. Redvision's super smooth drive ensures that the controllability competes with the very best in the industry.

### **Key Features**

- IR illuminators track camera movement
- Sony camera modules
- Continuous 360° rotation speed dome
- Privacy zones, multiple preset/tour options
- Pan/Tilt control from 0.1°/second to 200°/second
- Aluminium die cast
- Joystick crawl option for precise slow speed control
- Up the Coax and RS 485 control options
- 830nm IR illumination (940nm covert option)
- Menu controlled high frequency lift and gain

Redvision CCTV Ltd, 17 Highview, High Street, Bordon, Hampshire, GU35 0AX, UK

T +44(0)1420 448448 E [info@redvisioncctv.com](mailto:info@redvisioncctv.com) [www.redvisioncctv.com](http://www.redvisioncctv.com)



## Specification

Single camera version; 18:1 zoom, infra-red speed dome with 100m night vision.

### Camera

Camera Module	X-View Sony Module FCB-EX490DP 4" CCD PAL 530TVL.
Zoom	18X optical 4.1 - 73.8mm (F1.4 to F3). Angle 2.7° - 48.6° 12X Digital.
Minimum Illumination	0.7 Lux IR Off, Zero Lux IR on

### IR Illumination

IR Wavelength	830nm (other wavelengths to special order).
Range	Up to 100 metres.

### Mechanical

Pan & Tilt	Continuous 360° Pan (0.1° - 200° per second). Tilt +5° to -90°.
Programmable	Pan limits and zoom/speed ratio.

### Environmental and Physical

Dome Material	Powder coat die cast aluminium. Polycarbonate hemisphere.
Environment	-35°C to +50°C. IP 66. Heater/Fan.
Weight	4.0 kilos

### Telemetry

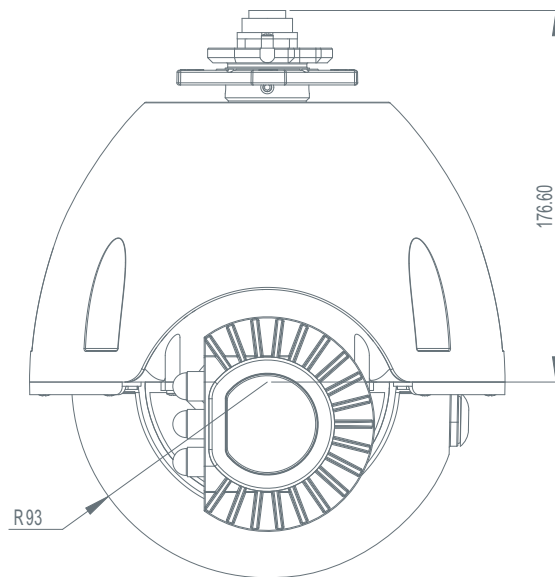
RS 485	Pelco P. Pelco D. Baud Rate 2400,4800,9600.
Coaxial	BBV.
Addressing	Via dip switch access from hemisphere plug.

### Features

Preset/Tours	100 Presets/8 preset tours all with programmable titling.
HF Lift/Video Gain	Programmable from keyboard.
Privacy	24 programmable zones.

### Power Supply Options

RV-PSU	110-240V input. 24VDC 2A Output.
RV-PSU-ALM16	PSU including 16 alarm inputs.
RV-PSU-ALM16-W	PSU with 16 alarm inputs and wireless PIR interface.



Dimensions in mm