



**Redvision**

# RV DOME SERIES



## **RV26-830-2-DOME**

**Dual camera version; 26:1 zoom, infra-red speed dome with 100m night vision.**

Redvision's dual camera version provides simultaneous video streaming through independent monitors of both zoom for close observation, and wide angle for contextual views. If connected to a digital video recorder, both camera views are recorded at the same time. Applications include remote monitoring stations, stadiums, town centres and crowd control.

### **Key Features**

- Dual video outputs
- Fully controllable zoom and simultaneous wide angle camera
- Continuous 360° rotation speed dome
- IR illuminators track camera movement
- Sony camera modules
- Privacy zones-multiple preset tour options
- Precise control from 0.1°/second to 200°/second
- Menu controlled high frequency lift and gain

Redvision CCTV Ltd, 17 Highview, High Street, Bordon, Hampshire, GU35 0AX, UK

T +44(0)1420 448448 E [info@redvisioncctv.com](mailto:info@redvisioncctv.com) [www.redvisioncctv.com](http://www.redvisioncctv.com)



## Specification

Dual camera version; 26:1 zoom, infra-red speed dome with 100m night vision.

### Camera

|                      |  |
|----------------------|--|
| Camera Module        | X-View Sony Module FCB-EX990DP 1/4" CCD PAL 480TVL.                      |
| Zoom                 | 26X optical 3.5 - 91.0mm (F1.6 to F3.8). Angle 2.2° - 54.2° 12X Digital. |
| Minimum Illumination | 1.0 Lux.   |

### IR Illumination

|               |   |
|---------------|---|
| IR Wavelength | 830nm (other wavelengths to special order). |
| Range         | Up to 100 metres.                           |

### Mechanical

|              |   |
|--------------|---|
| Pan & Tilt   | Continuous 360° Pan (0.1° - 200° per second). Tilt +5° to -90°. |
| Programmable | Pan limits and zoom/speed ratio.                                |

### Environmental and Physical

|               |   |
|---------------|---|
| Dome Material | Powder coat die cast aluminium. Polycarbonate hemisphere. |
| Environment   | -35°C to +50°C. IP 66. Heater/Fan.                        |
| Weight        | 4.0 kilos   |

### Telemetry

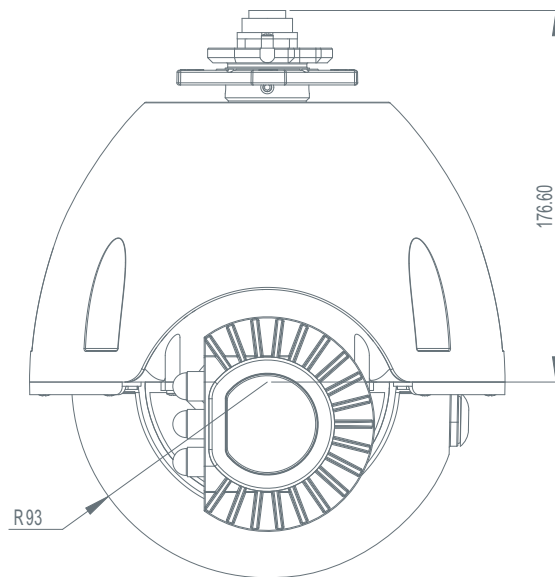
|            |   |
|------------|---|
| RS 485     | Pelco P. Pelco D. Baud Rate 2400,4800,9600. |
| Coaxial    | BBV.  |
| Addressing | Via dip switch access from hemisphere plug. |

### Features

|                    |   |
|--------------------|---|
| Preset/Tours       | 100 Presets/8 preset tours all with programmable titling. |
| HF Lift/Video Gain | Programmable from keyboard.                               |
| Privacy            | 24 programmable zones.                                    |

### Power Supply Options

|                |  |
|----------------|--|
| RV-PSU         | 110-240V input. 24VDC 2A Output.                     |
| RV-PSU-ALM16   | PSU including 16 alarm inputs.                       |
| RV-PSU-ALM16-W | PSU with 16 alarm inputs and wireless PIR interface. |



Dimensions in mm