



Redvision

RV DOME SERIES



RV26-830-2-DOME

Dual camera version; 26:1 zoom, infra-red speed dome with 100m night vision.

Redvision's dual camera version provides simultaneous video streaming through independent monitors of both zoom for close observation, and wide angle for contextual views. If connected to a digital video recorder, both camera views are recorded at the same time. Applications include remote monitoring stations, stadiums, town centres and crowd control.

Key Features

- Dual video outputs
- Fully controllable zoom and simultaneous wide angle camera
- Continuous 360° rotation speed dome
- IR illuminators track camera movement
- Sony camera modules
- Privacy zones-multiple preset tour options
- Precise control from 0.1°/second to 200°/second
- Menu controlled high frequency lift and gain

Redvision CCTV Ltd, 17 Highview, High Street, Bordon, Hampshire, GU35 0AX, UK

T +44(0)1420 448448 E info@redvisioncctv.com www.redvisioncctv.com



Specification

Dual camera version; 26:1 zoom, infra-red speed dome with 100m night vision.

Camera

Camera Module	X-View Sony Module FCB-EX990DP 1/4" CCD PAL 530TVL.
Zoom	26X optical 3.5 - 91.0mm (F1.6 to F3.8). Angle 2.2° - 54.2° 12X Digital.
Minimum Illumination	1.0 Lux.

IR Illumination

IR Wavelength	830nm (other wavelengths to special order).
Range	Up to 100 metres.

Mechanical

Pan & Tilt	Continuous 360° Pan (0.1° - 200° per second). Tilt +5° to -90°.
Programmable	Pan limits and zoom/speed ratio.

Environmental and Physical

Dome Material	Powder coat die cast aluminium. Polycarbonate hemisphere.
Environment	-35°C to +50°C. IP 66. Heater/Fan.
Weight	4.0 kilos

Telemetry

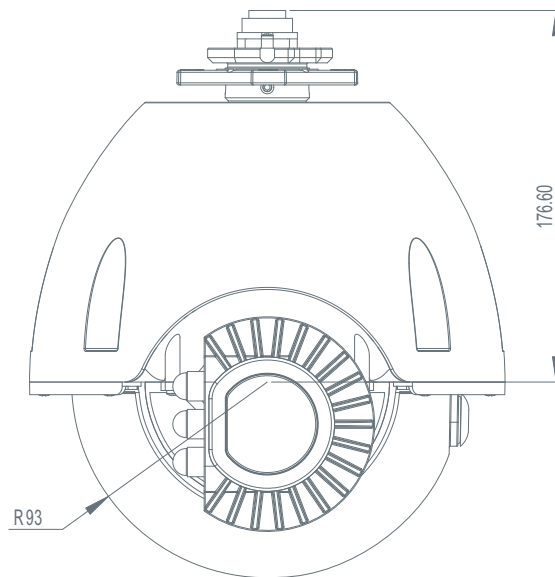
RS 485	Pelco P. Pelco D. Baud Rate 2400,4800,9600.
Coaxial	BBV.
Addressing	Via dip switch access from hemisphere plug.

Features

Preset/Tours	100 Presets/8 preset tours all with programmable titling.
HF Lift/Video Gain	Programmable from keyboard.
Privacy	24 programmable zones.

Power Supply Options

RV-PSU	110-240V input. 24VDC 2A Output.
RV-PSU-ALM16	PSU including 16 alarm inputs.
RV-PSU-ALM16-W	PSU with 16 alarm inputs and wireless PIR interface.



Dimensions in mm