



Redvision Wireless PIR Detectors RV-WP1520 RV-WP3020 RV-WP4004

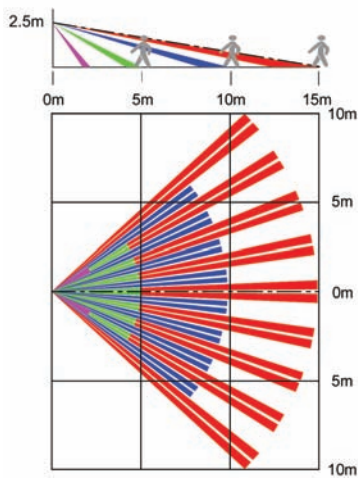
INSTALLATION SHEET

Full manual available as download from www.redvisioncctv.com

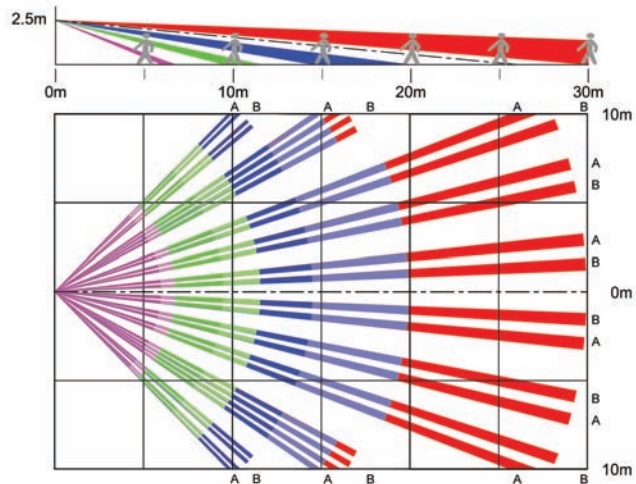
Warning: Do not expose internal electronics to moisture during install.

Check Box Contents

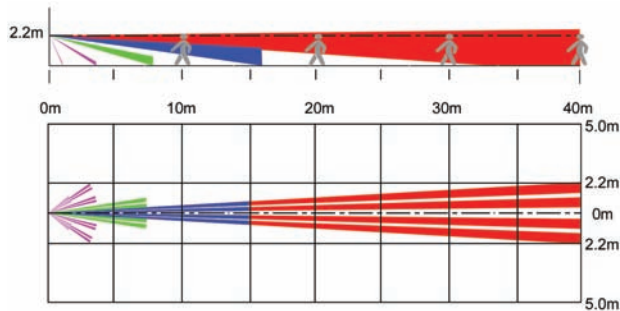
- 1 x Redvision wireless PIR detector.
- 1 x 1/4 wave antenna.
- 1 x sunshield.
- 4 x no.8 wall plugs.
- 4 x no.8 2" screws.
- 1 x 3mm hex key.



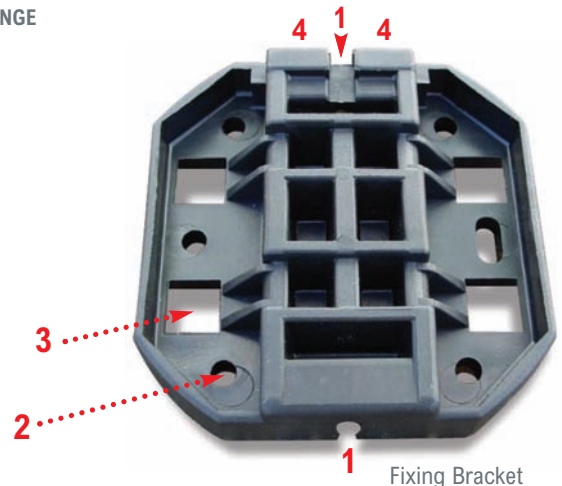
RV-WP1520 ZONE PATTERN
MEDIUM WIDE RANGE



RV-WP3020 ZONE PATTERN
LONG WIDE RANGE



RV-WP4004 ZONE PATTERN
LONG NARROW RANGE



1 Fixing Bracket

Positioning

- Correct mounting height for detector is 2 to 2.5 metres above ground.
- Detectors require a clear view of area to be covered-avoid overshooting detection area.
- Fixing must be solid-and not sway-avoid reflective surfaces.

Fixing the PIR

- 1 Undo two socket screws to release fixing bracket.
- 2 Four holes for wall mounting; use screws/plugs provided.
- 3 Four slots for post mounting; use banding or jubilee clip.
- 4 Orientate cut out location lip to the top.



Setting Dip Switches

- 1 Remove the front of the detector by releasing two rear socket screws.
- 2 Set PIR Site Code (**SW1**), PIR Unit Code (**SW2**) & Pulse Count (**SW2**) as follows:

PIR Site Code

Provides up to 32 channels of wireless transmission; (1 to 16 shown). This transmission needs to be matched between the Dome Head Site Code (see RV-PSU-ALM-W Install Sheet) & the Site Code within the PIR to enable alarm activation. One or more domes will respond to any PIR within range providing the Dome head Site Code & the corresponding PIR Site Code match.

	SW1				
	4	5	6	7	8
1	▲	▲	▲	▲	▲
2	▲	▲	▲	▲	▼
3	▲	▲	▲	▼	▲
4	▲	▲	▲	▼	▲
5	▲	▲	▼	▲	▲
6	▲	▲	▼	▲	▲
7	▲	▲	▼	▲	▲
8	▲	▲	▼	▲	▲
9	▲	▼	▲	▲	▲
10	▲	▼	▲	▲	▲
11	▲	▼	▲	▲	▲
12	▲	▼	▲	▲	▲
13	▲	▼	▲	▲	▲
14	▲	▼	▲	▲	▲
15	▲	▼	▲	▲	▲
16	▲	▼	▲	▲	▲

PIR Unit Code

These codes identify each individual PIR from 1-16.

	SW2					
	1	2	3	4	5	6
1	▲	▲	▲	▲	▲	▲
2	▲	▲	▲	▲	▲	▼
3	▲	▲	▲	▲	▲	▼
4	▲	▲	▲	▲	▲	▼
5	▲	▲	▲	▲	▲	▼
6	▲	▲	▲	▲	▲	▼
7	▲	▲	▲	▲	▲	▼
8	▲	▲	▲	▲	▲	▼
9	▲	▲	▲	▲	▲	▼
10	▲	▲	▲	▲	▲	▼
11	▲	▲	▲	▲	▲	▼
12	▲	▲	▲	▲	▲	▼
13	▲	▲	▲	▲	▲	▼
14	▲	▲	▲	▲	▲	▼
15	▲	▲	▲	▲	▲	▼
16	▲	▲	▲	▲	▲	▼

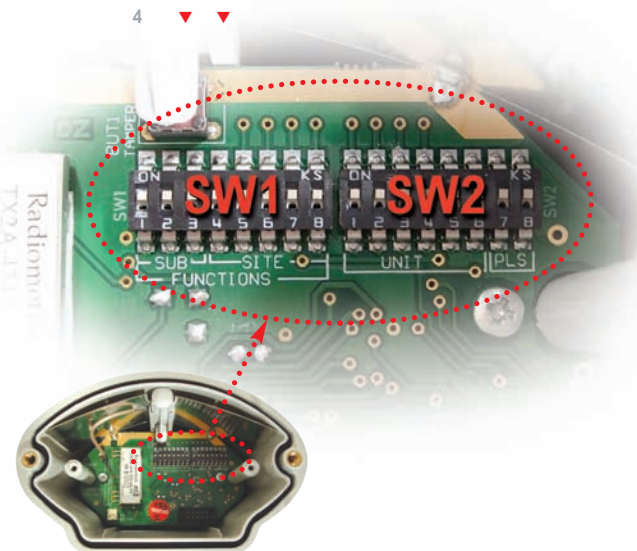
Pulse Count

This sets the sensitivity of the detector. Single pulse is the most sensitive setting and four pulses the least. Factory setting is one.

	SW2	
	7	8
1	▲	▲
2	▲	▼
3	▲	▲
4	▼	▼

UP = ▲
DOWN = ▼

SW1: SWITCHES 1 to 3 are SUB-NET CODES not used for wireless PIR/DOME configuration.



Angle Adjustment

Slacken the pan and tilt screws ***a** to align detector.

Antenna Connection/Sunshield

Attach sunshield and secure with aerial on screw stud ***b** DO NOT OVER TIGHTEN.

Changing/Connecting Batteries

- 1 Remove the front of the detector by releasing two rear socket screws.
- 2 Disconnect connector from PIR front.
- 3 Release re-useable cable ties and insert **New High Power 1.5 volt Cells** observing polarity shown.
- 4 Re-secure cable ties, re-connect cable and secure PIR front with socket screws.

