

Rapid Deployment CCTV

RedCop™

 **RED**COP™

Key Features

- UK Design and Manufacture
- Rugged for Tough Applications
- Mobile for Easy Transportation
- Full HD Video for High Quality CCTV
- 6m Tower for Extended Range of View
- Utilises the Latest Battery Technology for Maximising Operating Period
- Uses the Industry-Leading X4 COMMANDER™ PTZ Camera with Dual IR and White Light, 37X Optical Zoom.
- Multiple Options for Battery Recharging
- 4G Connection
- Remote Monitoring Services
- VCA Approved Road Trailer Version

REDCOP™ Rugged Mobile CCTV Tower

RedCop™ is a rugged, trailer-mounted CCTV security system designed and built in the UK for rapid deployment to remote and vulnerable sites. It is delivered to site and can be quickly set-up by trained engineers.

Rugged for Tough Applications

The Redvision brand is synonymous with rugged CCTV solutions for tough locations and the RedCop™ mobile CCTV system builds on this pedigree to further Redvision's unique heritage in CCTV manufacturing.

Mobile for Easy Site Maneuverability

RedCop™ can be lifted onto a flatbed vehicle for road transportation using either a fork-lift truck or a crane with slings connected to the chassis frame lifting eyes. It can also be winched onto a flat-bed trailer with ramp, using the site wheels provided.

A custom designed VCA approved road trailer is also available for direct road transport to site. This smart yet robust trailer has a compact form factor allowing the RedCop™ to be deployed at site on the road trailer with the wheels removed, for fast commissioning and de-commissioning.

Telescopic 6m Tower

With night-time visibility at over 100m even when using low power mode lighting to extend battery life (500m range with full power model), the 6m telescopic tower provides elevation for extended range and field of view.

Loaded with Technology Features

RedCop™ is loaded with technology features to allow it to perform longer without re-charge and create evidential quality video even in the worst weather and environmental conditions.

X4 COMMANDER™ PTZ Camera

The X4-COMMANDER™ uses advanced production techniques and state-of-the-art technology to offer a world-class, rugged CCTV camera with a best-in-class, feature set. The die-cast aluminium body is pre-treated before being powder coated, making the camera environmentally tough and resistant to malicious attack or vandalism.

Lithium (LiFePO4) Batteries

Lead acid batteries have been used extensively in mobile CCTV applications for many years but are heavy, take a long time to re-charge to full capacity and struggle to last for 2 years, even when maintained correctly.

Lithium Iron Phosphate or LiFePO4 batteries are by contrast lighter and safer, last longer and hold charge for much longer periods of time. Although more expensive, performance far outweighs cost and they are a must when extended off-grid run time is required.

Autonomous Operation

Even the latest Lithium batteries have to be re-charged and the RedCop™ mobile tower is designed to accept 110V and 230VAC mains. The tower can have a Hymera 175W Hydrogen Fuel Cell, with space for up to three 300bar Hydrogen gas bottles.

Solar PV charging is particularly popular, and our solar power generation option comprising 300W panel and charge control electronics offers autonomous operation over the summer months when combined with LiFePO4 batteries.

Secure, Remote Video Management

RedVu™ can be used for video management at different monitoring scales. It supports centralised management, distributed deployment and multi-user remote access; an optimised solution for managing RedCop Towers and Redvision cameras.

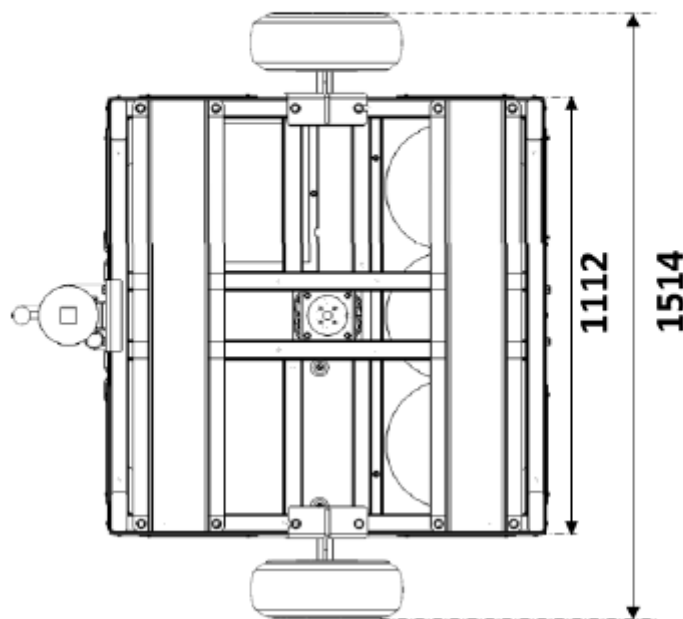
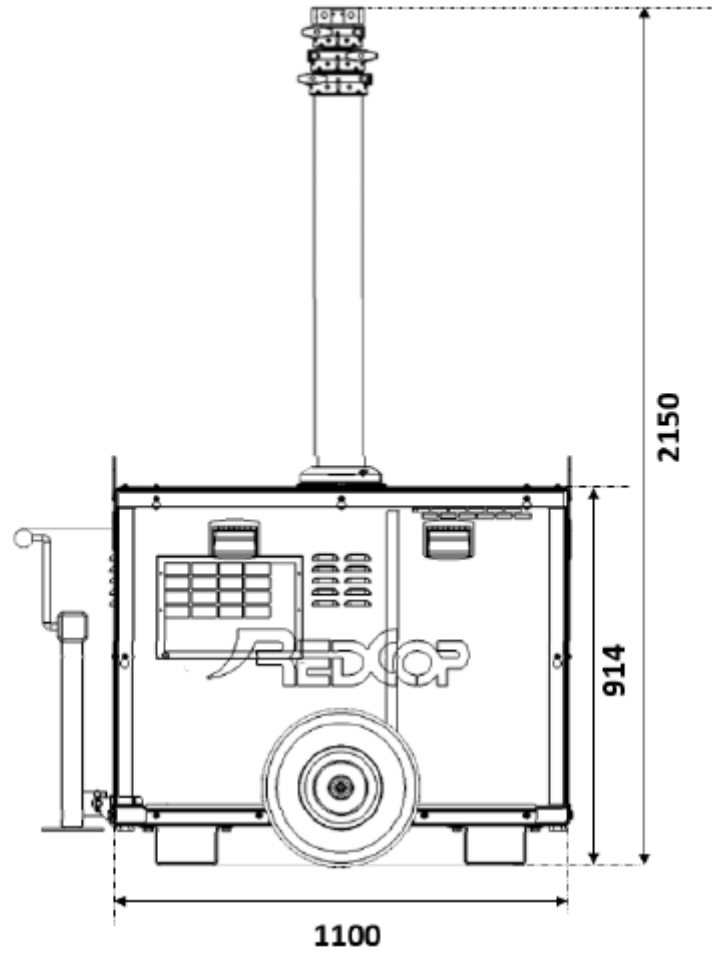
The Knight-Stor™ NVR is Immix compatible, allowing remote connection to a large number of monitoring stations. PIR detectors, or other alarm activations can prompt operators to react to intruders – in turn using the powerful white light features or audio speaker as a deterrent.

Unlimited Data Options

Stream or record cameras 24/7 with unlimited data and maintenance packages.

Compatibility

- All Redvision CCTV IP cameras
- Any ONVIF Profile S Compliant camera, up to 4K resolution
- RedVu™ CMS and RedVu Go™ mobile app.



Video

PTZ Camera	RVX4-IRWL-B
Static Camera(s)	RVK-W20-IR
Recording Resolutions	RVK-STOR-08
Recording Resolutions	8MP, 6MP, 5MP, 4MP, 3MP, 1080p, 720p, D1
Recording Modes	Manual, Scheduled, Regular, Continuous, Event
Mobile App	RedVu Go™
Synced Playback	4, 1
Event Triggers	Motion Detection, Alarm Input, Video Loss, IVA
HDD	1 Internal SATA, 12TB max.
Backup Modes	Network (LAN, WiFi, 4G)

Live Viewing

Mobile App	RedVu Go™
Tablet App	RedVu Go™
Remote PC Client	RedVu CMS™ Free Download
VMS1000	Redvision VMS1000™ Powered by Digifort

Network

Interface	Ethernet RJ45 LAN Connection
Protocols	HTTP, HTTPS, TCP/IP, IPv4, UPnP, UDP, RTSP, SMTP, NTP, DNS, DHCP, 802.1x, SNMP, ONVIF, SDK
Remote Users	8 Simultaneous Users
Cloud Storage	Supported
Security	Base-64 authentication, HTTPS (SSL), 802.1x, IP Address Filtering

Security and Remote Maintenance

Password	Cameras and NVR
Diagnostics	Secure, remote diagnostics and maintenance available
Reboot	System remote reboot via secure SMS

Power Storage and Generation

LiFePO4 Batteries	24VDC 100Ah, 24VDC 200Ah
Solar Panel	300W Panel
Hydrogen Fuel Cell	175 Hymera Fuel Cell Capacity for three off 300 bar Genie cylinders

I/O

Audio	Audio Speaker
Wireless PIRs	Up to 8 situated within 1km of tower
Power Alarms	Low battery, low hydrogen

Electrical & Physical

Power Supply	110~240VAC or Autonomous
Power Consumption	Max 12W (without cameras)
Operating Temperature	-10°C ~ +50°C
Relative Humidity	< 90%
Compliance	CE/ FCC
Weight	Max 500kg
Body Material	Marine grade Aluminium Mast Marine Grade Steel Frame and Panels
Colour	RAL3000 Red. Custom RAL to Order
Corrosion Testing	ASTM B117 1000 hour Salt-Spray Test

Bandwidth Optimisation

Smart Encode	Enabled – video stream optimisation to save up to 80% of bandwidth compared with H264 1080p (Redvision cameras only)
Advanced Video Codec	

Cellular Interface

Number of Antennas	1 (dual Wi-Fi and 4G)
SIM	1 (3 V & 1.8 V) Standard SIM or eSIM
Frequency Bands	4G: LTE FDD: B1/ B3/ B7/ B8/ B20/ B28A 3G: WCDMA: B1/ B8 2G: GSM: B3/ B8

Transport

Site Transport	Pallet, site wheels and push handle, lifting eyes
Road Transport	VCA approved road trailer