

RVK-E40-IR

**Knight Eye 40**

## Key Features

- 1/1.8" Progressive Scan CMOS, 4MP Sensor
- PoE for Simple Plug and Play Connection
- Super Low-Light Performance
- Motorised Zoom Lens with Smart Auto Focus
- Easy Positioning
- Cast Aluminium Body
- ONVIF Profile S, G & T Compliant
- 50m Adaptive IR Integral LEDs
- Intelligent Video Analytics
- Audio In/ Out
- Built in Microphone and Speaker
- IP66

## KNIGHT EYE 40 Turret Camera

The Knight Eye 40 camera utilises leading-edge sensor technology, with a Super low-light CMOS sensor for high-quality images in daytime or night-time settings. PoE power means simple plug and play experience, with low power consumption (8.5W, IR on). A motorised Zoom lens with Auto Focus system ensures crisp, clear images all the time. A tough, stylish housing completes the high-quality offering.

## Adaptive IR Illumination

Integral IR LEDs provide up to 50m of Adaptive IR range, ensuring any night-time activity is captured in full HD with stunning image quality. The Knight Eye 40 automatically adjusts the IR intensity in proportion to zoom and scene content. The IR LEDs are fully isolated from the camera lens, meaning no glare or haze, only crystal-clear images all night long.

## Motorised Zoom

A fully motorised 3.6mm ~ 11mm Smart Auto Focus lens guarantees sharp images in both day and night-time, whilst making installation setup quick and easy.

## Aluminium Body

A tough, solid cast aluminium casing results in the camera being well-protected against the elements and local environment, to IP66 standard. A rugged aluminium housing secures the camera whilst keeping the premises secure.

## SD Card Recording

Built-in SD Card recording up to 256GB allows network edge-recording, making sure nothing is missed, even in the event of a network data outage. ONVIF Profile G compliance means the camera can work with a compatible VMS platform or NVR, to automatically interrogate and recover recorded footage, as soon as the network connection is restored.

## ONVIF Compliant

ONVIF Profile S, G and T compliance offers compatibility with countless VMS platforms and NVRs. A H.265 streaming option means high-quality images at lower network bandwidth and hard-disk storage.

## Additional Features

Motion Detection, Intelligent Video Analytics, Smart Encoding and Region of Interest allow users to tailor cameras to suit each individual scene, optimising recording time for only events or information that really matters to you.

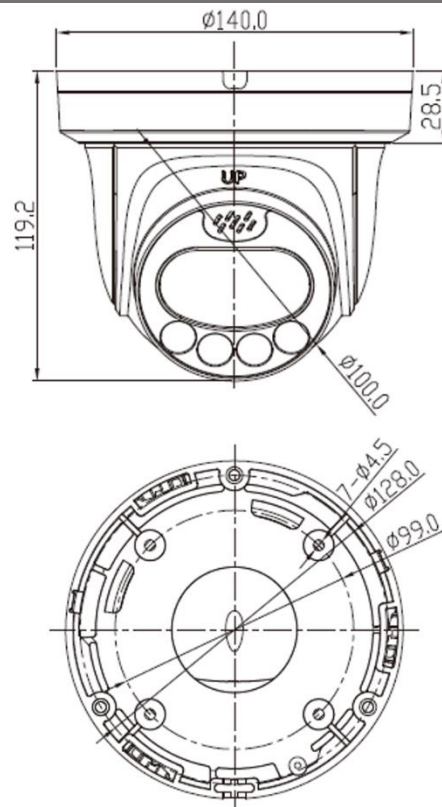
## Simple Installation

3D positioning allows users to find that perfect spot to view exactly what's required.

## Microphone and Speaker

A built in microphone and loudspeaker allow users to operate two way audio to sites at a click of a button.

## Dimensions (mm)



Camera	
Image Sensor	1/1.8" Progressive Scan CMOS
Max. Resolution	4MP (2560x1440)
Electronic Shutter	Auto/Manual, 1/5 ~ 1/20,000s
Min. illumination	Colour: 0.001 Lux @ (F1.6, AGC ON) , B/W: 0 Lux @ (IR LED ON)
Day & Night	IR cut filter
IR Distance	Up to 50m
IR On/Off Control	Auto/Manual
Pan/Tilt/Rotation Range	Pan: 0° ~ 355°, Tilt: 0° ~ 80°, Rotation: 0° ~ 360°
Lens	
Lens Type	Motorised Focus
Iris	Fixed Iris
Focal Length	3.6 ~ 11 mm
F Number	F1.3
Field of View	H: 114.6°~48.3°, V: 59.0°~27.1°
Video	
Streaming Capability	3 Streams
Stream/Frame Rate	Stream1: 2560x1440, 2304x1296, 1920x1080, 1280x720 @ 25/30fps Stream2: D1, VGA, CIF @ 25/30fps Stream3: VGA, CIF, QVGA @ 25/30fps
Bit Rate Control	CBR/VBR
Bit Rate	Stream1: 200kbps~12Mbps Stream2: 100kbps~6Mbps Stream3: 100kbps~3Mbps
Region of Interest	Off/On (8 Zone, Rectangle)
Smart Encode – Bandwidth Optimisation	Supported
Image	
Image Adjustment	Brightness/Sharpness/Contrast/Saturation adjustable
Aisle Mode	Supported
Mirror	Supported
White Balance	Auto/Manual
Day/Night Setting	Auto, Day, Night, Time
Adaptive Illumination	Supported
Noise Reduction	2D/3D DNR
Wide Dynamic Range	True WDR
Image Enhancement	HLC, BLC, Defog
S/N Ratio	55dB
Motion Detection	Supported
Privacy Masking	Supported

Smart Event	
Multi-Object Detection	Face, human & vehicle detection
Smart Events	Intrusion, Single line crossing, Double line crossing, Loitering, Wrong way, People counting Support alarm triggering by specified target types (human and vehicle)
Audio	
Compression	G.711, RAW_PCM
Bit Rate	8kbps, 16kps, 64kbps
Network	
Protocols	IPv4/IPv6, 802.1x, HTTP, HTTPS, TCP/IP, UDP/IP, RTSP, DHCP, NTP, RTCP/RTP, PPPoE, SMTP, DNS, UPnP, FTP, ARP, SNMP, TLS/SSL
Interoperability	ONVIF (Profile S, G & T), SDK, CGI
Streaming Method	Unicast
Max. User Access	10 Users
Web Viewer	Microsoft Edge, Chrome, Firefox, Opera
Language	English, Polish, Italian, Portuguese, Spanish, Russian, French, Czech, Hungarian. Default: English
Interface	
Network Interface	1 Ethernet (10/100 Base-T) RJ-45 Connector
Audio Interface	1ch Input, 1ch Output
Built-in Microphone	Yes
Built-in Speaker	Yes
Alarm Interface	1ch Input, 1ch Output
Reset Button	Supported
SD Card Slot	Built-in, up to 256GB
Electrical	
Power Supply	12VDC (-15%~+25%)/ POE (IEEE 802.3af)
Power Consumption	Max 8.5 W
Operating Temperature	-40°C ~ 55°C
Operating Humidity	Less than 90% RH
Ingress Protection	IP66
Certifications	CE/FCC
Casing	Aluminium
Dimensions	OD 140 × 119.2 mm
Net Weight	0.9 kg