

RVK-ST40-IR

Knight Sight 40

Key Features

- 1/2.8" Progressive Scan CMOS, 4MP Sensor
- PoE for Simple Plug and Play Connection
- Super Low-Light Performance
- Motorised Zoom Lens with Smart Auto Focus
- Easy Positioning
- Cast Aluminium Body
- ONVIF Profile S, G & T Compliant
- 40m Adaptive IR Integral LEDs
- Intelligent Video Analytics
- Audio In/ Out
- IP66, IK10

KNIGHT SIGHT 40 Dome Camera

The Knight Sight 40 camera utilises leading-edge sensor technology, with a Super low-light CMOS sensor for high-quality images in daytime or night-time settings. PoE power means simple plug and play experience, with low power consumption (7.5W, IR on). A motorised Zoom lens with Auto Focus system ensures crisp, clear images all the time. A tough, stylish housing completes the high-quality offering.

Adaptive IR Illumination

Integral IR LEDs provide up to 40m of Adaptive IR range, ensuring any night-time activity is captured in full HD with stunning image quality. The Knight Sight 40 automatically adjusts the IR intensity in proportion to zoom and scene content. The internal window O-ring reduces IR glare from the LEDs.

Motorised Zoom

A fully motorised 2.7mm ~ 13.5mm Smart Auto Focus lens guarantees sharp images in both day and night-time, whilst making installation setup quick and easy.

Vandal Resistant IK10 Aluminium Body

A tough, solid cast aluminium casing results in the camera being well-protected against the elements and local environment, to IP66 and IK10 standard. A rugged aluminium housing secures the camera whilst keeping the premises secure.

SD Card Recording

Built-in SD Card recording up to 256GB allows network edge-recording, making sure nothing is missed, even in the event of a network data outage. ONVIF Profile G compliance means the camera can work with a compatible VMS platform or NVR, to automatically interrogate and recover recorded footage, as soon as the network connection is restored.

ONVIF Compliant

ONVIF Profile S, G and T compliance offers compatibility with countless VMS platforms and NVRs. A H.265 streaming option means high-quality images at lower network bandwidth and hard-disk storage.

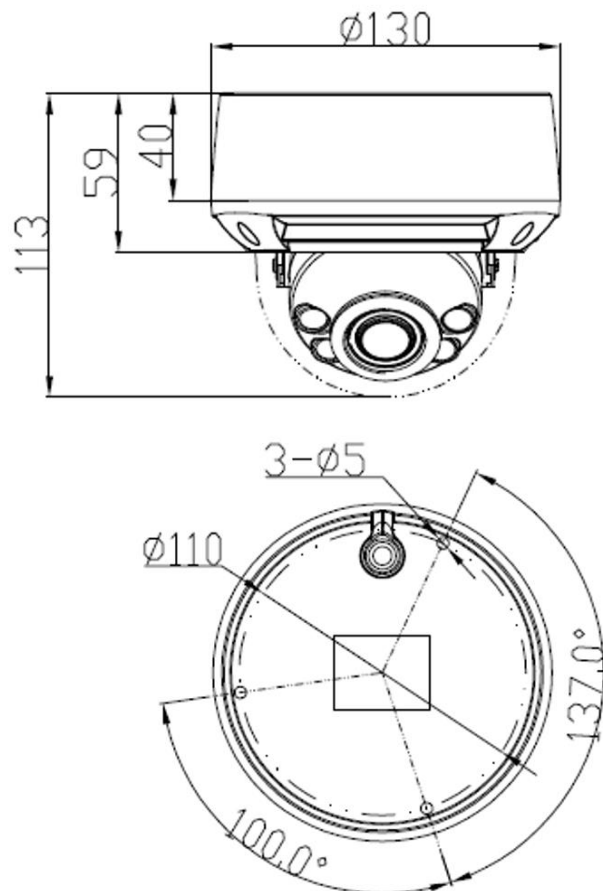
Additional Features

Motion Detection, Intelligent Video Analytics, Smart Encoding and Region of Interest allow users to tailor cameras to suit each individual scene, optimising recording time for only events or information that really matters to you.

Simple Installation

3D positioning allows users to find that perfect spot to view exactly what's required.

Dimensions (mm)



| Camera | |
|---------------------------------------|--|
| Image Sensor | 1/2.8" Progressive Scan CMOS |
| Max. Resolution | 4MP (2592x1520) |
| Electronic Shutter | Auto/Manual, 1/5 ~ 1/20,000s |
| Min. illumination | Colour: 0.03 Lux @ (F1.6, AGC ON) , B/W: 0 Lux @ (IR LED ON) |
| Day & Night | IR cut filter |
| IR Distance | Up to 40 m |
| IR On/Off Control | Auto/Manual |
| Pan/Tilt/Rotation Range | Pan: 0° ~ 355°, Tilt: 0° ~ 75°, Rotation: 0° ~ 355° |
| Lens | |
| Lens Type | Motorised focus |
| Iris | Fixed Iris |
| Focal Length | 2.7 ~ 13.5 mm |
| F Number | F1.6 |
| Field of View | H: 87.5°~26.0°, V: 64.8°~19.9° |
| Video | |
| Streaming Capability | 3 Streams |
| Stream/Frame Rate | Stream1: 2592x1520, 2560x1440, 2304x1296, 1920x1080, 1280x720 @ 25/30fps Stream2: D1, VGA, 640x360, CIF, QVGA @ 25/30fps Stream3: VGA, CIF, QVGA @ 25/30fps |
| Bit Rate Control | CBR/VBR |
| Bit Rate | Stream1: 200kbps~12Mbps Stream2: 100kbps~6Mbps Stream3: 100kbps~3Mbps |
| Region of Interest | Off/On (8 Zone, Rectangle) |
| Smart Encode – Bandwidth Optimisation | Supported |
| Image | |
| Image Adjustment | Brightness/Sharpness/Contrast/Saturation adjustable |
| Aisle Mode | Supported |
| Mirror | Supported |
| White Balance | Auto/Manual |
| Day/Night Setting | Auto, Day, Night, Time |
| Adaptive Illumination | Supported |
| Noise Reduction | 2D/3D DNR |
| Wide Dynamic Range | True WDR |
| Image Enhancement | HLC, BLC, Defog |
| S/N Ratio | 55dB |
| Motion Detection | Supported |
| Privacy Masking | Supported |

| Smart Event | |
|------------------------|--|
| Multi-Object Detection | Face, human & vehicle detection |
| Smart Events | Intrusion, Single line crossing, Double line crossing, Loitering, Wrong way, People counting Support alarm triggering by specified target types (human and vehicle) |
| Audio | |
| Compression | G.711, RAW_PCM |
| Bit Rate | 8kbps, 16kps, 64kbps |
| Network | |
| Protocols | IPv4/IPv6, 802.1x, HTTP, HTTPS, TCP/IP, UDP/IP, RTSP, DHCP, NTP, RTCP/RTP, PPPoE, SMTP, DNS, UPnP, FTP, ARP, SNMP, TLS/SSL |
| Interoperability | ONVIF (Profile S, G & T), SDK, CGI |
| Streaming Method | Unicast |
| Max. User Access | 10 Users |
| Web Viewer | Microsoft Edge, Chrome, Firefox, Opera |
| Language | English, Polish, Italian, Portuguese, Spanish, Russian, French, Czech, Hungarian. Default: English |
| Interface | |
| Network Interface | 1 Ethernet (10/100 Base-T) RJ-45 Connector |
| Audio Interface | 1ch Input, 1ch Output |
| Alarm Interface | 1ch Input, 1ch Output |
| Reset Button | Supported |
| SD Card Slot | Built-in, up to 256GB |
| Electrical | |
| Power Supply | 12VDC (-15%~+25%)/ POE (IEEE 802.3af) |
| Power Consumption | Max 7.5 W |
| Operating Temperature | -40°C ~ 55°C |
| Operating Humidity | Less than 90% RH |
| Ingress Protection | IP66 |
| Impact Rating | IK10 |
| Certifications | CE/FCC |
| Casing | Aluminium |
| Dimensions | OD 130 x 113mm |
| Net Weight | 0.8 kg |