



## Key Features

- CS Mount Allows for a Wide Variety of Lens Options
- Auto Back-Focus System for Sharp, Clear Images
- PoE for Easy Connection
- Low Power Consumption
- SD Card Recording Option
- 5MP, 1/2.8" Progressive Scan CMOS sensor
- ONVIF profile S, G & T compliant
- Intelligent video analytics
- 3.8mm ~ 18mm, or 12mm ~ 50mm lens options

### Knight View™ Box Camera

The KNIGHT VIEW 50™ box camera utilises leading-edge sensor technology, with a Super low-light CMOS sensor for high-quality images in daytime or night-time settings. The camera can be provided with a Manual Focus/ Auto Iris, 3.8mm ~ 18mm manual varifocal lens; or an optional 12mm ~ 50mm lens.

### Auto Back-Focus

Auto Back-Focus system ensure sharp, clear images. CS-Mount allows a wide variety of lens types to be used.

### ONVIF Compliant

ONVIF Profile S, G and T compliance offers compatibility with countless VMS platforms and NVRs. H.265 streaming means high-quality images at lower network bandwidth and hard-disk storage.

### SD Card Recording

Built-in SD Card recording up to 256GB allows network edge-recording, making sure nothing is missed, even in the event of a network data outage. ONVIF Profile G compliance means the camera can work with a compatible VMS platform or NVR, to automatically interrogate and recover recorded footage as soon as the network connection is restored.

### Additional Features

Motion Detection, Intelligent Video Analytics, Smart Encoding and Region of Interest allow users to tailor cameras to suit each individual scene, optimising recording time for only events or information that really matters to you.

### Low Light Performance

A 1/2.8" CMOS Sensor provides exceptional low light performance, with colour images down to 0.005 Lux.

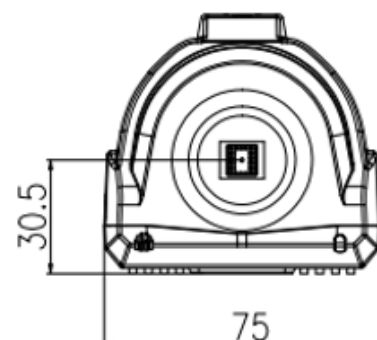
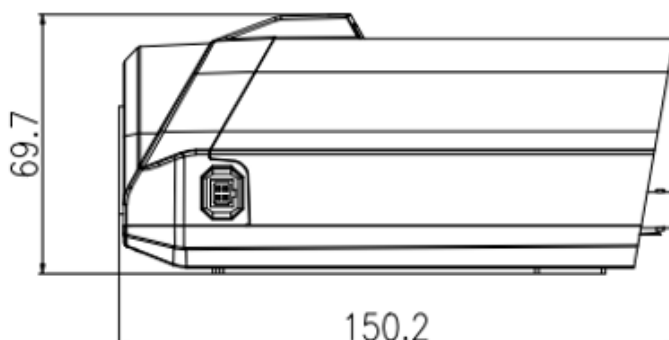
### VEGA 2065™ Rugged Camera Housing

Utilise the VEGA™ range of rugged, vandal-resistant camera housings with the KNIGHT VIEW 50™ box camera. The VEGA 2065™ houses and powers the camera securely, with a long-life silicone wiper which can be remotely controlled. The fully cable-managed solution keeps all cables secure, with a thermostatically controlled heater to maintain the ideal internal environment.

The VEGA 2065™ can be powered by PoE+ (802.3at), 24VAC or 12VDC, can be pedestal or wall mounted and can be custom painted to any RAL colour.

### Camera and Lens Choices

|                                                                                                                       |                                                                                       |
|-----------------------------------------------------------------------------------------------------------------------|---------------------------------------------------------------------------------------|
| <p><b>RVK-V50:</b> KNIGHT VIEW 5MP, 1/2.8" CMOS ABF Box Camera</p>                                                    |  |
| <p><b>RVK-V10-LENS-18:</b> Manual Focus/ Auto Iris, 3.8mm ~ 18mm manual varifocal lens for Knight View box camera</p> |  |
| <p><b>RVK-V10-LENS-50:</b> Manual Focus/ Auto Iris, 12mm ~ 50mm manual varifocal lens for Knight View box camera</p>  |  |



| Camera               |                                                                                                                                                                                   |
|----------------------|-----------------------------------------------------------------------------------------------------------------------------------------------------------------------------------|
| Image Sensor         | 1/2.8" Progressive Scan CMOS                                                                                                                                                      |
| Max. Resolution      | 5MP (2592x1920)                                                                                                                                                                   |
| Electronic Shutter   | Auto/Manual, 1/5 ~ 1/20,000s                                                                                                                                                      |
| Min. illumination    | Colour: 0.005 Lux @ (F1.6,AGC ON)<br>B/W: 0.001 Lux @ (F1.2,AGC ON)                                                                                                               |
| Day & Night          | IR cut filter                                                                                                                                                                     |
| Lens                 |                                                                                                                                                                                   |
| Lens                 | Manual Varifocal, CS Mount<br>3.8mm-18mm F1.4<br>12mm-50mm F1.6                                                                                                                   |
| Video                |                                                                                                                                                                                   |
| Streaming Capability | 3 Streams                                                                                                                                                                         |
| Stream/Frame Rate    | Stream1: 2592 x 1920, 2592x1520, 2560x1440,<br>2304x1296, 1920x1080, 1280x720 @ 50/60fps<br>Stream2: D1, VGA, 640x360, CIF, QVGA @ 25/30fps<br>Stream3: VGA, CIF, QVGA @ 25/30fps |
| Bit Rate Control     | CBR/VBR                                                                                                                                                                           |
| Bit Rate             | Stream1: 200kbps~12Mbps<br>Stream2: 100kbps~6Mbps<br>Stream3: 100kbps~3Mbps                                                                                                       |
| Region of Interest   | Off/On (8 Zone, Rectangle)                                                                                                                                                        |
| Smart Encode         | Supported                                                                                                                                                                         |
| Image                |                                                                                                                                                                                   |
| Image Adjustment     | Brightness, Sharpness, Contrast, Saturation adjustable                                                                                                                            |
| Aisle Mode           | Supported                                                                                                                                                                         |
| Mirror               | Supported                                                                                                                                                                         |
| White Balance        | Auto/Manual                                                                                                                                                                       |
| Day/Night Setting    | Auto, Day, Night, Time                                                                                                                                                            |
| Noise Reduction      | 2D/3D DNR                                                                                                                                                                         |
| Image Enhancement    | HLC, BLC, Defog                                                                                                                                                                   |
| Wide Dynamic Range   | True WDR                                                                                                                                                                          |
| S/N Ratio            | 55dB                                                                                                                                                                              |
| Motion Detection     | Supported                                                                                                                                                                         |
| Privacy Masking      | Supported                                                                                                                                                                         |

| Smart Function         |                                                                                                                                                                              |
|------------------------|------------------------------------------------------------------------------------------------------------------------------------------------------------------------------|
| Multi-Object Detection | Supports face, human, vehicle detection and capture                                                                                                                          |
| Smart Events           | Intrusion, Single line crossing, Double line crossing,<br>Loitering, Wrong way, People counting<br>Support alarm triggering by specified target types<br>(human and vehicle) |
| Audio                  |                                                                                                                                                                              |
| Compression            | G.711, RAW_PCM                                                                                                                                                               |
| Bit Rate               | 8kbps, 16kps, 64kbps                                                                                                                                                         |
| Network                |                                                                                                                                                                              |
| Protocols              | IPv4/IPv6, 802.1x, HTTP, HTTPS, TCP/IP, UDP/IP,<br>RTSP, DHCP, NTP, RTCP/RTP, PPPoE, SMTP, DNS,<br>UPnP, FTP, ARP, SNMP, TLS/SSL                                             |
| Interoperability       | ONVIF (Profile S, G & T), SDK, CGI                                                                                                                                           |
| Max. User Access       | 10 Users                                                                                                                                                                     |
| Web Viewer             | <IE11, Chrome, Firefox, Microsoft Edge                                                                                                                                       |
| Language               | English, Polish, Italian, Portuguese, Spanish, Russian,<br>French, Czech, Chinese, Hungarian. Default: English                                                               |
| Interface              |                                                                                                                                                                              |
| Network Interface      | 1 Ethernet (10/100 Base-T) RJ-45 Connector                                                                                                                                   |
| Audio Interface        | 1ch Input, 1ch Output                                                                                                                                                        |
| Built-in Microphone    | Supported                                                                                                                                                                    |
| Alarm Interface        | 1ch Input, 1ch Output                                                                                                                                                        |
| RS485                  | Supported                                                                                                                                                                    |
| CVBS Interface         | Supported                                                                                                                                                                    |
| Reset Button           | Supported                                                                                                                                                                    |
| SD Card Slot           | Supported, up to 256GB                                                                                                                                                       |
| Electrical             |                                                                                                                                                                              |
| Power Supply           | DC12V (-15%~+25%)/AC24V/POE (IEEE 802.3af)                                                                                                                                   |
| Power Consumption      | Max 3 W                                                                                                                                                                      |
| Operating Temperature  | -30°C ~ 50°C (-22°F ~ 122°F)                                                                                                                                                 |
| Operating Humidity     | Less than 90% RH                                                                                                                                                             |
| Ingress Protection     | N/A                                                                                                                                                                          |
| Certifications         | CE/FCC                                                                                                                                                                       |
| Casing                 | Aluminium                                                                                                                                                                    |
| Colour                 | White                                                                                                                                                                        |
| Dimensions             | 150.2 x 75 x 69.7 mm (5.91" x 2.95" x 2.74")                                                                                                                                 |
| Net Weight             | 0.4 kg (0.88 lb)                                                                                                                                                             |