

RVK-W20-IR

Knight Watch 20

Key Features

- PoE for simple plug and play connection
- Super Low-Light Performance
- Motorised Zoom Lens with Smart Auto Focus
- Easy Positioning
- Cast Aluminium Body
- ONVIF Profile S, G & T Compliant
- 60m Smart IR Integral LEDs
- Intelligent Video Analytics
- Audio In/ Out
- Aisle mode – maximise views in corridors
- Adjustable sun and rain visor
- IP67, IK10

KNIGHT WATCH 20™ Bullet Camera

The Knight Watch 20™ camera utilises leading-edge sensor technology, with a Super low-light CMOS sensor for high-quality images in daytime or night-time settings. PoE power means simple plug and play experience, with low power consumption (10.5W, IR on). A motorised Zoom lens with Auto Focus system ensures crisp, clear images all the time. A tough, stylish housing completes the high-quality offering.

Adaptive IR Illumination

Integral IR LEDs provide up to 60m of Adaptive IR range, ensuring any night-time activity is captured in full HD with stunning image quality. The Knight Watch 20™ automatically adjusts the IR intensity in proportion to zoom and scene content. The IR LEDs are fully isolated from the camera lens, meaning no glare or haze, only crystal-clear images all night long.

Motorised Zoom

A fully motorised 2.7mm ~ 13.5mm Smart Auto Focus lens guarantees sharp images in both day and night-time, whilst making installation setup quick and easy.

Aluminium body

A tough, solid cast aluminium casing means your cameras are well-protected against the elements and local environment, to IP67 standard. Rugged IK10 standard housing with Polycarbonate window means your cameras are secure whilst keeping your premises secure.

SD Card Recording

Built-in SD Card recording up to 256GB allows network edge-recording, making sure nothing is missed, even in the event of a network data outage. ONVIF Profile G compliance means the camera can work with a compatible VMS platform or NVR, to automatically interrogate and recover recorded footage, as soon as the network connection is restored.

ONVIF Compliant

ONVIF Profile S, G and T compliance offers compatibility with countless VMS platforms and NVRs. A H.265 streaming option means high-quality images at lower network bandwidth and hard-disk storage.

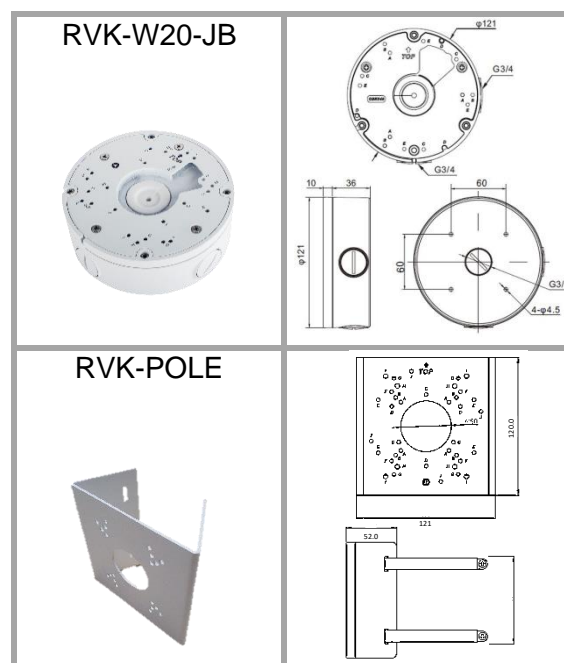
Additional Features

Motion Detection, Intelligent Video Analytics, Smart Encoding and Region of Interest allow users to tailor cameras to suit each individual scene, optimising recording time for only events or information that really matters to you.

Simple Installation

3D positioning arm allows you to find that perfect spot to view exactly what you need. An adjustable Sunshield means unwanted glare is kept out in almost any installation positions.

Brackets and Accessories



Camera Specification

Camera module	2MP 1/2.8" CMOS Super Low-Light sensor, Progressive-Scan
Sensitivity	Colour: 0.01Lux @ F1.6, AGC ON Monochrome: 0 Lux IR ON
Max. Resolution	1920x1080
S/N Ratio	55dB
Lens	2.7mm~13.5mm Motorised Smart AF F1.6
FoV	H: 101°(W) ~ 28°(T) V: 54° (W) ~ 16° (T)
Noise Reduction	2D/3D Digital
WDR	120dB
Image Enhancement	WDR, BLC, HLC, Defog
IR Range	Up to 60m
Day/Night Switching	True-ICR

Video Streaming

Video	H.265, H.264, MJPEG
Compression	
Streams	3 + Service Stream
Resolutions	Stream 1: 1920 x 1080, up to 30fps, 1280 x 720 up to 30fps Stream 2: D1, VGA, 640 x 360, CIF, QVGA, up to 30fps Stream 3: VGA, CIF, QVGA, up to 30fps
RTSP Video	RFC2326, Supports VLC & QuickTime
FPS	30fps max.
Bitrate	Stream 1: 200kbps ~ 12Mbps Stream 2: 100kbps ~ 6Mbps Stream 3: 100kbps ~ 3Mbps
Smart Encoding	Yes
Streaming Method	Unicast

Network Interface

Interface	Ethernet RJ45, 10-100 Base-T connection
Supported Protocols	IPv4/IPv6, 802.1x, HTTP, HTTPS, TCP/IP, UDP/IP, RTSP, DHCP, NTP, RTCP/RTP, PPPoE, SMTP, DNS, UPnP, FTP, ARP, SNMP, TLS/SSL
Languages (Web interface)	English, Polish, Italian, Portuguese, Spanish, Russian, French, Czech, Hungarian.
ONVIF	Profile S, G, T
Edge Storage (optional)	Up to 256GB
Security	Base-64 authentication, HTTPS (SSL), 802.1x, IP Address Filtering
SDK	Available
Max. Simultaneous Users	10

Events

Alarm I/O	1 in, 1 out
Video Analysis	Motion Detection, Multiple IVA
Email notifications	Yes
Intelligent Analytics	Intrusion, Single line crossing, Double line crossing, Loitering, Wrong way, People counting. Support alarm triggering by specified target types (human and vehicle)
FTP upload	Yes, video or static image
SD recording	Yes, stream selectable
System event notification	SD card, Network interface
Mobile App	Android, IOS, with push events

Audio

Audio	1 in, 1 out
Codecs	G.711 ALAW, G.711 ULAW, RAW_PCM
Bit rate	8kbps, 16kbps, 64kbps

Electrical & Physical

Power Supply	12VDC, PoE (IEEE 802.3af)
Power Consumption	10.5W max. (IR On)
Dimensions	375.5mm L x 110mm Ø
Weight	1.45kg
Operating Temperature	-40°C ~ +55°C
Relative Humidity	< 90%
Ingress Protection	IP67
Impact Rating	IK10
Window Material	Polycarbonate
Housing Material	Aluminium
Colour	White
Certifications	CE/FCC

