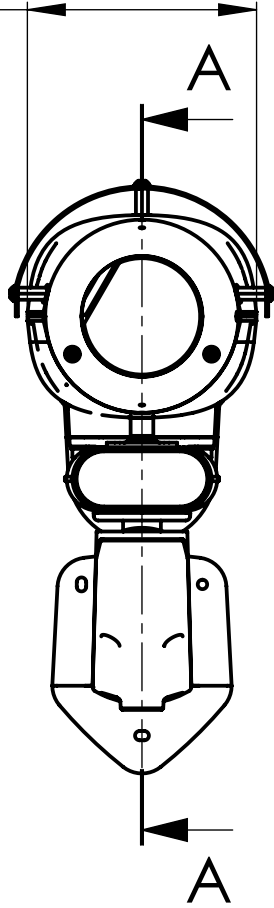
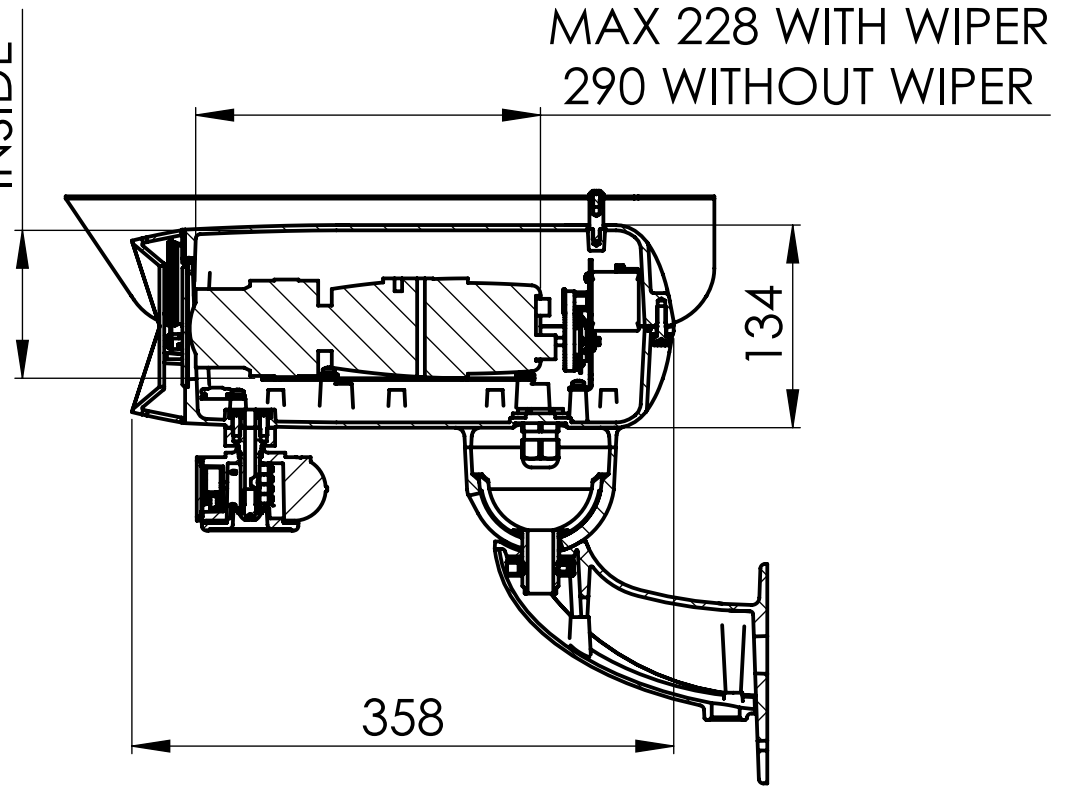


152
MAX 79 INSIDE



103 MAX
INSIDE



MAX 228 WITH WIPER
290 WITHOUT WIPER

SECTION A-A